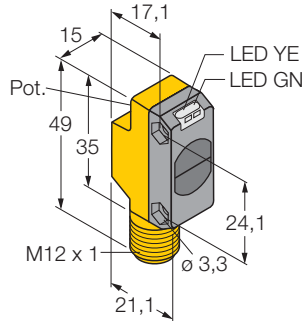
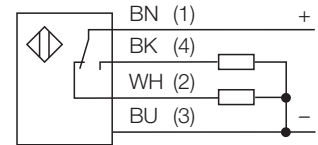


**photoelectric sensor
diffuse mode sensor
QS18VP6WQ8**



- Operating voltage 10...30 VDC
- indication of insufficient excess gain
- LED visible from all sides
- sensitivity adjustable via potentiometer
- light/dark operation
- M12 x 1 male connector

Wiring diagram

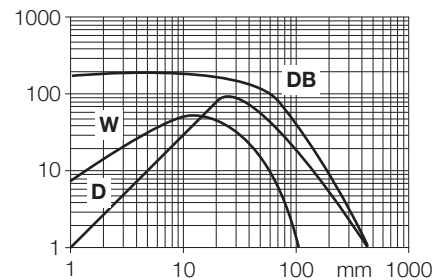


Functional principle

Identical to retro-reflective sensors, emitter and receiver circuitry are incorporated in the same housing of the diffuse mode sensors. However, diffuse mode sensors do not detect the interruption of the light beam but the reflection of the target. A target is detected if it reflects sufficient light back to the receiver. The switching distance of diffuse mode sensors thus largely depends on the reflectivity of the target.

Excess gain curve

Excess gain in relation to the distance



Type	QS18VP6WQ8
Ident-No.	3066464
Operating mode	diffuse mode sensor
Light type	IR
Wavelength	940 nm
Max. sensing range [mm]	0... 100 mm
Ambient temperature	-20...+ 70 °C
Operating voltage	10... 30 VDC
DC rated operational current	≤ 100 mA
No-load current I_0	≤ 32 mA
Output function	NO/NC, PNP
Switching frequency	≤ 800Hz
Readiness delay	≤ 100 ms
Housing	rectangular, QS18
Dimensions	21.1 x 15 x 35 mm
Housing material	Plastic, ABS
Lens	plastic, acrylic
Electrical connection	Connectors, M12 x 1
Protection class	IP67
Operating voltage	LED green
Switching state	LED yellow
Error indication	LED green flashing
Excess gain indication	LED yellow flashing