

### FEATURES

- Heavy duty two way shut-off solenoid valves for control of air, inert gas, water, oil and other gases/liquids compatible with the seal materials used
- Valves require a minimum operating pressure
- The solenoid valves satisfy all relevant EC directives

### GENERAL

**Differential pressure** See «SPECIFICATIONS» [1 bar = 100 kPa]  
**Maximum viscosity** 65 cSt (mm<sup>2</sup>/s)  
**Response time** 15 - 60 ms

fluids (*)	temperature range (TS)	seal materials (*)
air, inert gas, water, oil	- 20°C to + 90°C	PA (polyamide) PTFE

### MATERIALS IN CONTACT WITH FLUID

(\*) Ensure that the compatibility of the fluids in contact with the materials is verified

	Brass body	Stainless steel body
<b>Body</b>	Brass	AISI 304 SS
<b>Core tube</b>	Stainless steel	Stainless steel
<b>Core and plugnut</b>	Stainless steel	Stainless steel
<b>Springs</b>	Stainless steel	Stainless steel
<b>Seat</b>	Brass	Stainless steel
<b>Core disc</b>	UR	UR
<b>Seals</b>	NBR	NBR
<b>Piston</b>	Stainless steel	Stainless steel
<b>Piston disc</b>	PTFE	PTFE
<b>Piston rings</b>	PTFE (carbon filled)	PTFE (carbon filled)
<b>Shading coil</b>	Copper	Silver

### ELECTRICAL CHARACTERISTICS

**Coil insulation class** F  
**Connector** Spade plug (cable Ø 6-10 mm)  
**Connector specification** ISO 4400 / EN 175301-803, form A  
**Electrical safety** IEC 335  
**Electrical enclosure protection** Moulded IP65 (EN 60529)  
**Standard voltages** DC (=) : 24V - 48V  
 (Other voltages and 60 Hz on request) AC (~) : 24V - 48V - 115V - 230V / 50 Hz

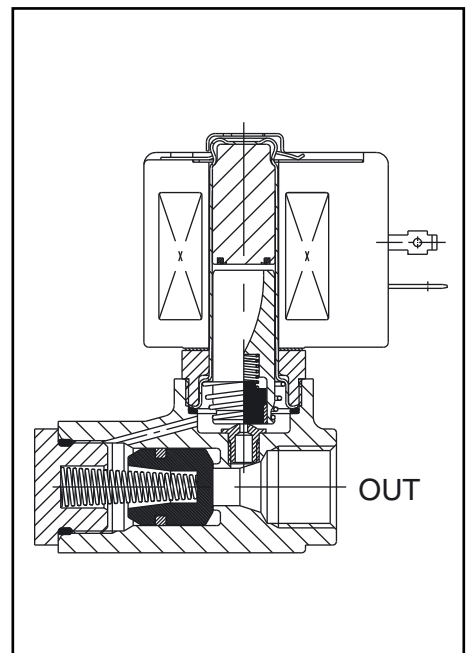
prefix option	power ratings				operator ambient temperature range (TS) (C°)	replacement coil		type <sup>(1)</sup>
	inrush ~	holding ~	hot/cold =			~	=	
	(VA)	(VA)	(W)	(W)		230 V/50 Hz	24 V DC	
SC	55	23	10,5	9/11,2	-20 to + 75	400425-117	400425-142	01
	78	35	16,7	-	-20 to + 50	400425-217	-	
	-	-	-	14/19,7	-20 to + 25	-	400425-342	

<sup>(1)</sup> Refer to the dimensional drawings on the following page.

### SPECIFICATIONS

pipe size	orifice size	flow coefficient Kv		operating pressure differential (bar)						power coil (W)		catalogue number		options				
				max. (PS)								brass	stainless steel	FPM	EPDM	CR	PTFE	
				min.		air (*)		water (*)										oil (*)
NPT	(mm)	(m <sup>3</sup> /h)	(l/min)															
<b>NC - Normally closed</b>																		
1/4	8	1,3	21,7	0,7	50	30	50	30	50	30	10,5	11,2	SCB223A121	-	V	E	-	T
				0,7	100	35	100	35	100	35	16,7	19,7	SCB223A125	-	V	E	-	T
3/8	8	1,3	21,7	0,7	50	30	50	30	50	30	10,5	11,2	SCB223A123	-	V	E	J	T
				0,7	100	35	100	35	100	35	16,7	19,7	SCB223A127	-	V	E	-	T
1/2	9	2,7	45	1,8	100	35	100	35	100	35	16,7	19,7	SCB223A103	-	V	E	-	T
				-	-	-	-	-	-	-	-	-	-	SCB223A010	V	E	-	T
3/4	19	6,7	112	1,8	50	20	50	20	50	20	16,7	11,2	SCB223B005 <sup>(2)</sup>	-	V	-	-	T
				-	-	-	-	-	-	-	-	-	-	-	SCB223A012	V	E	-

<sup>(2)</sup> PA piston.



00044GB-2011/R01 Availability, design and specifications are subject to change without notice. All rights reserved.

### OPTIONS

- Valves can also be supplied with FPM (fluoroelastomer), EPDM (ethylene-propylene), CR (chloroprene) and PTFE seals and discs. Use the appropriate optional suffix letter for identification
- Waterproof enclosure with embedded screw terminal coil according to protection class IP67, CEE-10
- Explosionproof enclosures for use in zones 1/21-2/22, categories 2-3 to ATEX Directive 94/9/EC (see "Explosionproof solenoids" section)
- Electrical enclosures according to "NEMA" standards are available
- Compliance with "UL", "CSA" and other local approvals available on request
- Normally Open constructions (NO)
- Other pipe connections are available on request
- Plug with visual indication and peak voltage suppression or with cable length of 2 m (see Solenoids, Coils & Accessories section)

### INSTALLATION

- The solenoid valves can be mounted in any position without affecting operation
- Pipe connection identifier is B = NPT (ANSI 1.20.3)
- Installation/maintenance instructions are included with each valve

### SPARE PARTS KIT

catalogue number	spare parts kit no.	
	~	=
SCB223A121	<b>C302313</b>	<b>C302409</b>
SCB223A125/A127	<b>C133861</b>	<b>C133863</b>
SCB223A123	<b>C302313</b>	<b>C302313</b>
SCB223A103	<b>C133862</b>	<b>C133864</b>
SCB223A010	<b>C302322</b>	<b>C302417</b>
SCB223B005	<b>C302316</b>	<b>C302412</b>
SCB223A012	<b>C302323</b>	<b>C302418</b>

<sup>(1)</sup> Standard prefixes/suffixes are also applicable to kits.

### ORDERING EXAMPLES:

SC	B	223	A	125	230V / 50 Hz
SC	B	223	A	121	MO 115V / 50 Hz
SC	B	223	A	103	V 24V / DC
SC	B	223	A	012	230V / 50 Hz

prefix: SC, pipe thread: B, basic number: 223, A, voltage: 230V / 50 Hz, suffix: MO, V

### ORDERING EXAMPLES KITS:

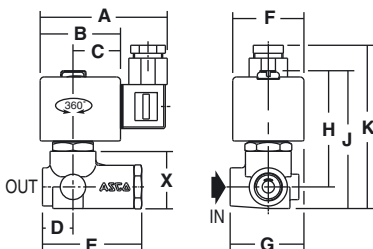
C302313 <sup>(1)</sup>	
C133864	V
C302322	E

basic number: C302313, C133864, C302322; suffix: V, E

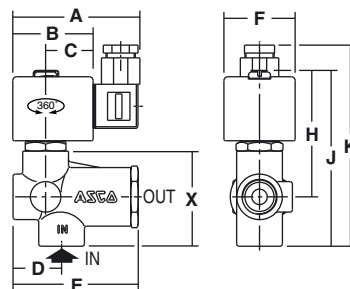
### DIMENSIONS (mm), WEIGHT (kg)

**TYPE 01**  
 Prefix "SC" Solenoid  
 Epoxy moulded  
 IEC 335 / ISO 4400  
 IP65

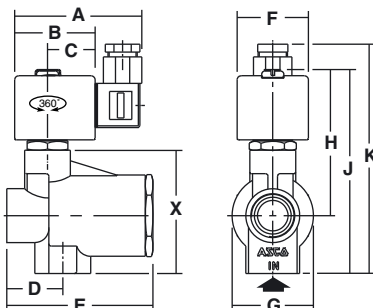
#### SCB223A121/A125/A123/A127



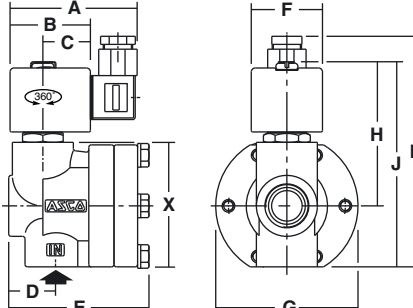
#### SCB223A103/A010



#### SCB223B005



#### SCB223A012



type	prefix option	catalogue number	A	B	C	D	E	F	G	H	J	K	X	weight <sup>(2)</sup>
01	SC	SCB223A121/A125/A123/A127	80	50	30	20	65	45	46	72	86	103	37	0,7
		SCB223A103/A010	80	50	30	31	78	45	-	78	109	126	60	0,9
		SCB223B005	80	50	30	34	91	45	50	91	127	144	78	1,5
		SCB223A012	80	50	30	29	88	45	89	88	128	143	77	2,3

<sup>(2)</sup> Incl. coil(s) and connector(s)

All leaflets are available on: [www.asconumatics.eu](http://www.asconumatics.eu)