

Easidew Transmitter

2-wire dew point transmitter

Precision Manufacturing

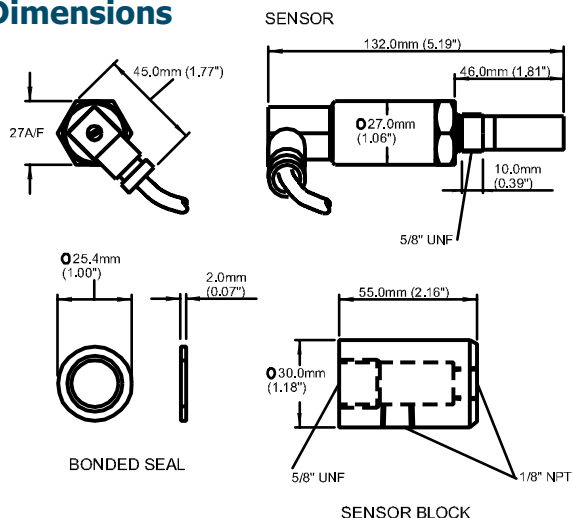


The Easidew Transmitter is designed for ease of use, incorporating all the features needed to make installation and operation as simple as possible. For the first time, dew point measurement is made as accessible as temperature and pressure with this fully configured, calibrated transmitter that can be instantly incorporated into your air or gas management and control system.

Highlights

- 2-wire loop powered connection
- Dew point or ppm moisture content
- IP66 (NEMA 4)
- Excellent sensor protection
- Measurement range -100 to +20°C
- Operating temperature -40 to +60°C
- Fast response

Dimensions



Technical Specifications

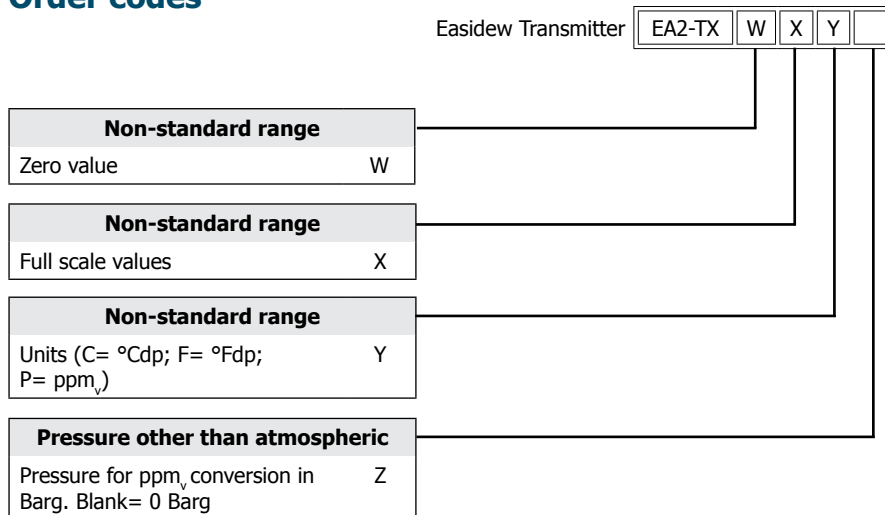
Performance									
Measurement range (dew point)	-100 to +20°C dew point								
Accuracy (dew point)	±2°C dew point								
Response time	5 mins to T95 (dry to wet)								
Repeatability	0.5°C dew point								
Electrical output/input									
Output signal	4-20 mA (2-wire) current source, configurable over the entire range Dew point -100 to +20°C -148 to +68°F ppm _v 0 - 3000 ppm _v output or non-standard dew point range must be specified at time of order								
Supply voltage	12–28VDC								
Load resistance	Max 250Ω @ 12V 500Ω @ 24V								
Current consumption	20mA max								
Supply voltage influence	±0.005% RH/V								
Operating conditions									
Operating humidity	0–100% RH								
Operating temperature	-40 to +60°C								
Operating pressure	45 MPa (450 Barg) max.								
Flow rate	1 to 5 Nlmin ⁻¹ mounted in standard sampling block; 0 to 10 msec ⁻¹ direct insertion								
Temperature coefficient	Temperature compensated across operating temperature range								
Mechanical specification									
Ingress protection	IP66 in accordance with standard BS EN 60529:1992, and NEMA 4 in protection accordance with standard NEMA 250-2003								
Housing material	Stainless steel								
Dimensions	L=132mm x ø27mm								
Filter	HDPE Guard <10 μm 80μm sintered guard (optional)								
Weight	150g								
Electrical connections	See table								
Interchangeability	Fully interchangeable transmitters								
Fault conditions (factory programmed)	<table border="1"> <thead> <tr> <th>Condition</th> <th>Output</th> </tr> </thead> <tbody> <tr> <td>Sensor fault</td> <td>23mA</td> </tr> <tr> <td>Under-range dew point</td> <td>4mA</td> </tr> <tr> <td>Over range dew point</td> <td>20mA</td> </tr> </tbody> </table>	Condition	Output	Sensor fault	23mA	Under-range dew point	4mA	Over range dew point	20mA
Condition	Output								
Sensor fault	23mA								
Under-range dew point	4mA								
Over range dew point	20mA								

Easidew Transmitter

Options and accessories	
Panel Meter An economical panel or bench-mounted meter with digital display, analogue outputs and dual alarm relays. Display and output configurable as dew point (°C or °F) or ppm moisture content.	EA2-OL-100
Easidew Sampler A self-contained sampling system, with filtration and flow control, for measurement of pressure or atmospheric dew point	EA2-SAM
Sample Block Stainless Steel sample block to contain Easidew Transmitter, with 1/8" NPT ports	CSB
Replacement HDPE Guard Pack of 10 HDPE Guards	EA2-HDPE-10
Sintered Guard Stainless Steel sintered guard, for protection of ceramic sensor (in place of standard HDPE Guard)	9980237
Easidew Communication Kit For connection to Easidew Transmitter and reconfiguration of range and output via Michell Configuration Software (available free of charge from Michell)	EA2-CK

Electrical Connections	
Connections	
Pin 1	4-20mA
Pin 3	POWER

Order codes



Example:

Standard product: EA2-TX

Non-standard product: EA2-TX W X Y

Michell Instruments 2-wire dew point transmitter, Easidew TX with zero value, full scale values, units of measurement and zero Barg.

Please note: Michell Instruments adopts a continuous development programme which sometimes necessitates specification changes without notice. Please contact us for latest version. Ref: Easidew_0309